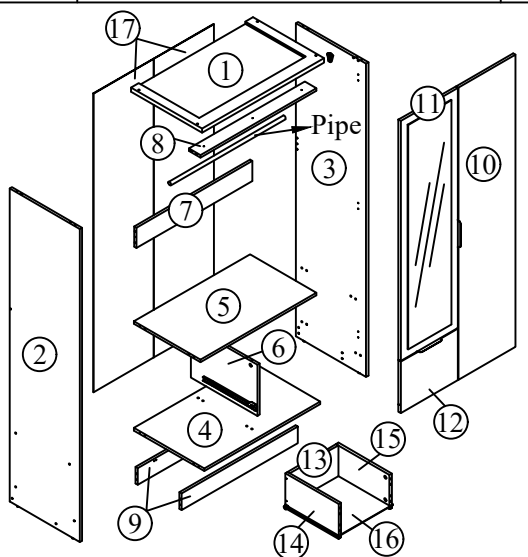
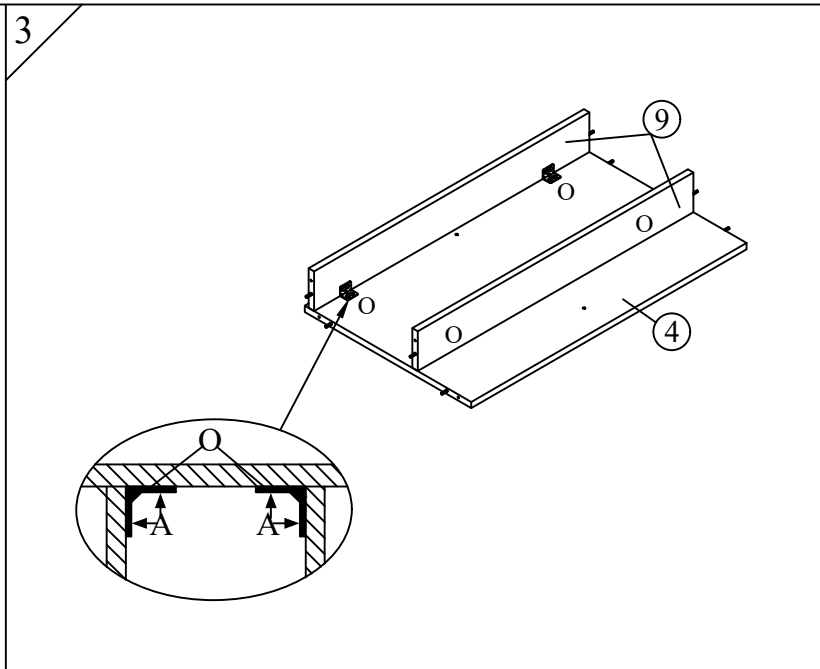
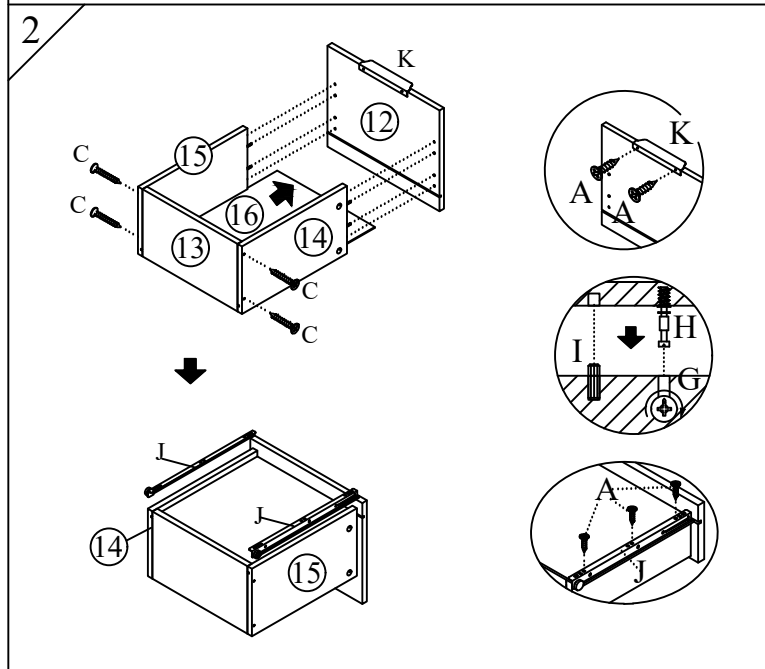
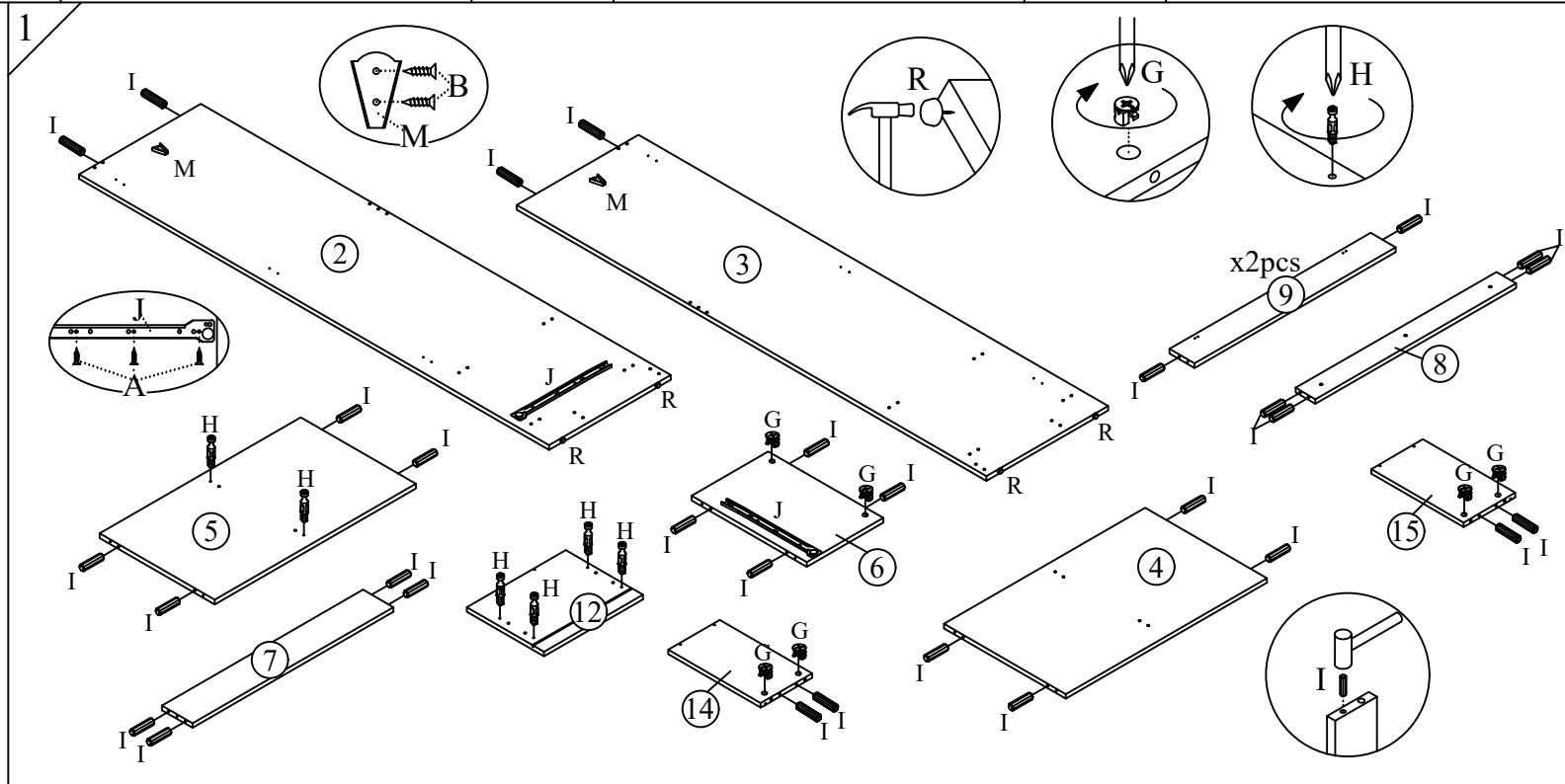


Model	DN WAR 200 132-2M	Issue Date	13 - 06 - 2023	Draw By	ZB CHNG	Approved By / Date	
Form No	P13-RD-05-Rev01	Revision	WAR 1.0	Checked By	UNCLE SIN	Sheet	01 / 02
Description	Assembly Instructions						



A	CSK SCREW M3.5 x 12mm	32
B	CSK SCREW M3.5 x 16mm	28
C	CSK SCREW M4 x 38mm	4
D	CSK SCREW M4 x 25mm	3
E	CSK SCREW M4 x 45mm	4
F	JCBCW SCREW M5 x 40mm	16
G	CAM NUT 15mm	6
H	CAM BOLT	6
I	WOOD DOWEL M6 x 25mm	32
J	METAL RUNNER 14"	1
K	HANDLE L-SHAPE 180	2
L	HINGES 7/8	6
M	V-BRACKET	2
N	PIPE 752mm	1
O	L-BRACKET	4
P	ALLEN KEY	1
Q	NAIL	30
R	PVC NAIL 5/8"	4
S	CSK SCREW M4 x 20 mm	2
T	WALL FIXING STRAP	2
U	WASHER M6	2



Model	DN WAR 200 132-2M	Issue Date	13 - 06 - 2023	Draw By	ZB CHNG	Approved By / Date	
Form No	P13-RD-05-Rev01	Revision	WAR 1.0	Checked By	UNCLE SIN	Sheet	02 / 02
Description	Assembly Instructions						

